



C-Series

Vacuum

BETA products are manufactured in The Netherlands

Enclosures:

Cast Aluminum:

Oven baked powder coating
hammertone grey

**Also available in
SS 316**

Wheaterproof IP 66
- EN 60529
(Nema 4X)

Repeatability:
typical 0.2% of Full Scale

Standard unit: Barg

Optional: PSI / Kg / Pa

Standard process connetion:
1/4" NPT F or BSP F

Standard Diaphragm/O-ring:
Buna N / Buna N

For wetted parts:
more possibilities available,
see full catalogue

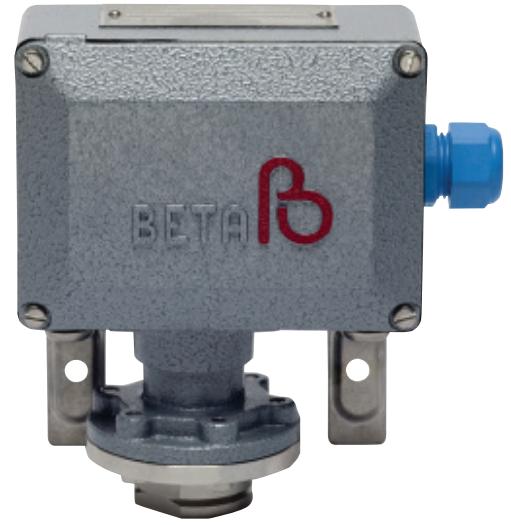
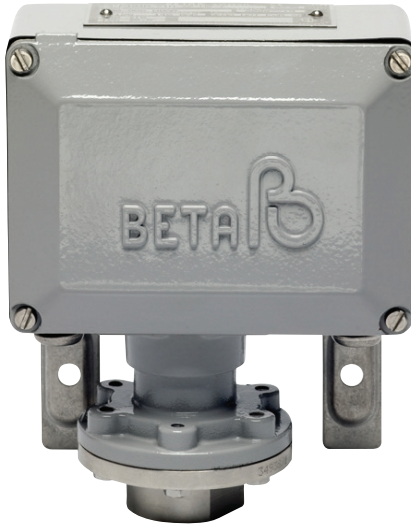
**BETA SWITCHES ARE,
BUILD TO LAST!**

Do you want to know more:

Please contact your local dealer
and ask for the General Bulletin.
Or contact us directly!



WWW.BETA-B.NL



Ranges for Vacuum switches.

RANGE CODE	ADJUSTABLE RANGE ²⁾ (INCR. VAC. TO PRESS.)		MAX. DEADBAND (VAC. / PRESS.)		MAX. VACUUM		MAX. OVERRANGE PRESSURE		PROOF PRESSURE	
	mBar/ Bar		mBar		mBar/ Bar		Bar		Bar	
V 301 L ¹⁾	-10 to -3	mBar	1	mBar	-500	mBar	+10	Bar	+15	Bar
V 304 L	-60/0/+150	mBar	4/4/6.5	mBar	-500	mBar	+30	Bar	+35	Bar
V 404 M	-400/0/+400	mBar	16/16/25	mBar	-1	Bar	+125	Bar	+140	Bar
V 406 M	-980/0/+1000	mBar	30/30/40	mBar						
V 506 H	-1/0/+6	Bar	80/80/25	mBar						

1) Only available with L1 -microswitch element. K1 possible consult factory).

2) For setpoint around zero bar gauge, consult factory.

SP 404-25-02



Disclaimer:

We reserve the right to make changes or modify the contents of this document without prior notice. BETA B.V. does not accept any liability or claim whatsoever for potential errors, incorrect interpretation or possible lack of information in this document. It is clearly and only intended as coarse and general information of our products.

More Short Form Data Sheets on Vacuum, Differential and Temperature Switches are available.

Making the modelcode: Follow steps 1 to 5

1 Selection of enclosure type.

Conduit:	Material:	Code:
Pg 13.5	Aluminium	C1
M20 x 1.5	Aluminium	C2
3/4" NPT F	Aluminium	C3
1/2" NPT F	Aluminium	C4
M20 x 1.5	SS 316	C8
3/4" NPT F	SS 316	C9

2 Selection of range code, see front page.

3 Selection of process connection.

Size:	Material:	Code:
1/4" NPT F	SS 316	S1N
1/2" NPT F	SS 316	S2N
1/2" NPT M	SS 316	S7N
Process conn. size max. 1/2" Piston & Spring (both wetted) standard in SS 316.		
Above standard process connections are also available in: "BSP" For example: 1/2" BSP F (SS 316) = S2B		

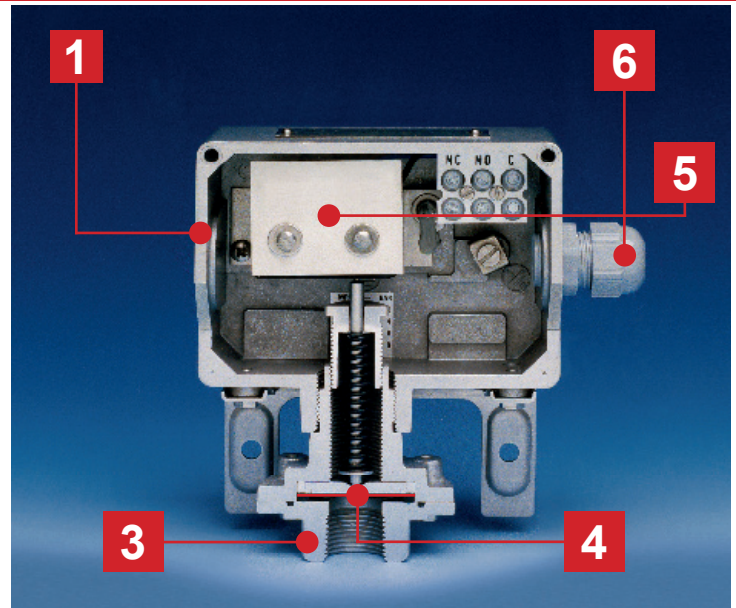
Process connections are also available in other materials like, Monel, PVC, Hastelloy, Titanium etc.

4 Selection of wetted parts.

Diaphragm:	O-ring:	Code:
Buna N	Buna N	B1
Viton	Viton	V2
SS 316	Buna N	S1
SS 316	Viton	S2
SS 316	Neoprene	S3
SS 316	EPDM	S6
Tantalum	Buna-N	T1

Accessoires:

2" Pipe mount bracket set available.
Contents :
2 x bolts M6 x 100 mm + washer & nut
Size +/- 1,5 mm / Material SS 304



5 Selection of microswitches.

Rating:		Use:	Code:
VAC.	VDC. ³⁾		
480/ 15A	28/ 0.5A	Standard	K1 ²⁾
480/ 10A	28/ 0.5A	Standaard for L-serie	L1 ²⁾
480/ 15A	125/ 0.5A	Normal DC-service	U1
125/ 1A	28/ 0.5A	For use in H ₂ S environment ³⁾ and/or for Ex ia / Ex ib applications.	G1 ^{**}
250/ 0.1A	30/ 0.1A		Y1
250/ 0.1A	30/ 0.1A	Environmental proof (IP 67)	O1
250/ 2A	30/ 2A		N1

1) For D.P.D.T action, second code figure should be specified as "2"

For example: **K1** = S.P.D.T./ **K2** = D.P.D.T

2) VDE certified acc. to DIN EN 61 058-1:1992+A1:1993.

3) Indicated ratings are for resistive DC load only.

** DC Rating not U.L. listed, although experience and third party testing confirm the D.C Voltage ratings. Consult your local BETA switch Representative.

6 Selection of options.

Description:	Code:
Cable gland	C
For Ex i applications	I
Stainless steel tag key ringed to enclosure (Tag has 2 lines - 16 characters per line)	S
Epoxy coating of switch (External). Only in combination SS 316 process connection	Y

*** WETTED PARTS ARE NOT GUARANTEED,**

against corrosion or permeation since processes vary from plant to plant and concentration of harmful fluids, gasses or solids vary from time to time in a given process. Empirical experience by users should be the final guide and alternate materials based on this are generally available. The diaphragm / O-Ring combinations are for process temperatures of -5°C to +90°C, unless otherwise indicated. For process temperatures beyond these limits please contact your BETA Switch Representative.