



BETAMINI Temperature

BETA products are manufactured in The Netherlands

Enclosures:

Wheaterproof IP 66
- EN 60529

(Nema 4X)

Repeatability:

Typical 0.2% of Full Scale

Standard unit: Barg

Optional: PSI / Kg / Pa

Standard process conetion:
1/4" NPT (M)

Standard Diaphragm:
SS 316 Welded

More possibilities available,
see full catalogue

**BETA SWITCHES ARE,
BUILD TO LAST!**

Do you want to know more:

Please contact your local dealer
and ask for the General Bulletin.
Or contact us directly!



SP 421.2502

1 Selection of Enclosure for Temperature swiches.

ENCLOSURE CODE	CLASSIFICATION	ELECTRICAL CONNECTION	MATERIAL	EARTH TERMINAL
B2	Weathertight (IP65)	Hirschmann Plug conn. Type A. ISO4400	Aluminium	Standard (Via plug)

2 Selection of Temperature Ranges.

RANGE CODE	ADJUSTABLE RANGE	MAX. DEADBAND	MAX. TEMPERATURE	PROOF TEMPERATURE	MAX.PROCESS PRESSURE
T 528 H	-40 / +40 °C	5 °C	+125 °C	+200 °C	175 Bar
T 548 H	0 / +80 °C		+200 °C	+250 °C	
T 568 H ¹⁾	+60 / +180 °C		+300 °C	+350 °C	
T 588 H ²⁾	+160 / +300 °C		+400 °C	+450 °C	

1) In case process temperature > 140 °C, Direct mount sensing bulb is not recommended.

2) Not in combination with Direct mount sensing bulb.

Disclaimer:

We reserve the right to make changes or modify the contents of this document without prior notice. BETA B.V. does not accept any liability or claim whatsoever for potential errors, incorrect interpretation or possible lack of information in this document. It is clearly and only intended as course and general information of our products.

WWW.BETA-B.NL



Making the modelcode: Follow steps 1 to 5

1 Selection of Enclosure Type.

ENCLOSURE CODE	CLASSIFICATION	MATERIAL	ELECTRICAL CONNECTION
B2	Weathertight (IP65)	Aluminium	Hirschmann Plug conn. Type A. ISO4400

2 Selection of Sensing Bulb.

PROCESS CONNECTION	SENSOR CODE	TYPE OF TEMPERATURE SENSING BULB	
1/2" NPT(M)	D00	Direct mount. ¹⁾	128 mm length
	D02		225 mm length
	C02	Capillary mount.	2 mtr. capillary length
	C03		3 mtr. capillary length
	C05		5 mtr. capillary length
	C10		10 mtr. capillary length
	CXX		Special capillary length ²⁾

Note: All SS 316 stainless steel sensor, capillary (SS 304 armored) and compression fitting.

¹⁾ Not in combination with range T588H (+160/ +300 °C), - and not recommended with T568H in case of process temperature >140 °C.

²⁾ Length of capillary should be specified, consult your BETA Switch Representative. (Max.: 15 mtr.)

4 Selection of Wetted Parts.

All temperature switches have "S0" (SS 316) welded diaphragm.

5 Selection of Microswitches.

CODE	DESCRIPTION	MAX. RATINGS (Resistive)	
		VAC.	VDC
BL	Standard use	250/ 3A	28/ 3A
BG	Gold Alloy Contacts	250/ 1A	28/ 1A

NOTE: Switching Elements - ONLY available with S.P.D.T. action micro.

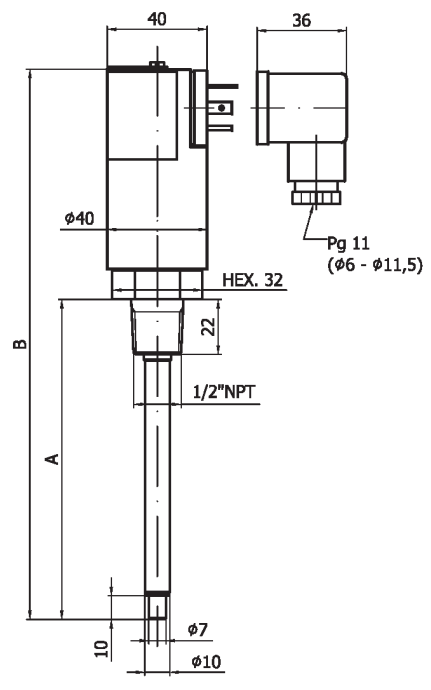
Specials:

We can incorporate numerous specials to meet your requirements. These special requirements are indicated by the letter "X" in the model code or at the end of the model number, followed by a figure showing the number of specials.

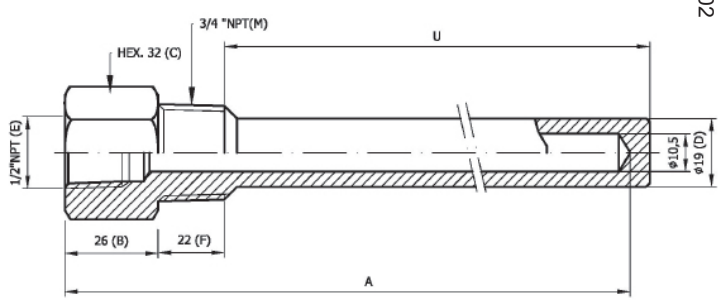
Example:
 "X1" at the end of model reference means one special.

"X2" at the end of the model reference means two specials have been incorporated.

Details of each special must always be specified completely on inquiries and orders.



ACCESSORIES: Thermowell (SS 316)



THERMOWELL CODE	INSERTION ELEMENT LENGTH "U" (MM)	INSERTION ELEMENT LENGTH "A" (MM)	FIT TO: TEMPERATURE SENSING BULB
TW 11	115	155	D00, C02, C03
TW 15	155	195	C02, C03, C05
TW 19	190	228	D02, C02, C03, C05

- NOTES:**
- BETA Thermowells to be ordered as separate item. Do not include Thermowell code into the switch code.
 - Special Thermowell possible. Consult your BETA Switch Representative.



"Quick shipment" - Available -
 and possible for almost any BETAMINI!
 (Consult your local BETA rep. or BETA factory for more details.)

For extended selection and/ or specified technical information, please ask for the "BETA-MINI" Catalogue.

SP 421.25.02