



BETAMINI

Pressure

BETA products are manufactured in The Netherlands

Enclosures:

Wheaterproof IP 66
- EN 60529

(Nema 4X)

Repeatability:

Typical 0.2% of Full Scale

Standard unit: Barg

Optional: PSI / Kg / Pa

Standard process conetion:
1/4" NPT F or BSP F

Standard Diaphragm/O-ring:
Buna N / Buna N

For wetted parts:

More possibilities available,
see full catalogue

**BETA SWITCHES ARE,
BUILD TO LAST!**

Do you want to know more:

Please contact your local dealer
and ask for the General Bulletin.
Or contact us directly!



WWW.BETA-B.NL



1 Selection of Enclosure for BETAMINI switches.

ENCLOSURE CODE	CLASSIFICATION	ELECTRICAL CONNECTION	MATERIAL	EARTH TERMINAL
B2	Weathertight (IP65)	Hirschmann Plug conn. Type A. ISO4400	Aluminium	Standard (Via plug)

2 Selection of Pressure Ranges.

RANGE CODE	ADJUSTABLE RANGE	TYPICAL DEADBAND	MAX. OVERRANGE PRESSURE	PROOF PRESSURE
P 502 H	1) 0,3 - 2 bar	65 mbar	200 bar	600 bar
P 504 H	1) 0,3 - 3,8 bar	85 mbar		
P 506 H	1) 0,5 - 10 bar	175 mbar		
P 508 H	1) 1,0 - 25 bar	480 mbar		
P 708 H	1) 3 - 85 bar	2,25 bar	300 bar	600 bar
P 808 H	1) 5 - 170 bar	5 bar		
P 908 H	10 - 300 bar	16 bar		

1) EC, Type Examination - Directive 97/23/EC-PED, certificate no.: 01202 931-B-11-0009-02

Disclaimer:

We reserve the right to make changes or modify the contents of this document without prior notice. BETA B.V. does not accept any liability or claim whatsoever for potential errors, incorrect interpretation or possible lack of information in this document. It is clearly and only intended as course and general information of our products.



Making the modelcode: Follow steps 1 to 5

1 Selection of Enclosure Type.

ENCLOSURE CODE	CLASSIFICATION	MATERIAL	ELECTRICAL CONNECTION
B2	Weathertight (IP65)	Aluminium	Hirschmann Plug conn. Type A. ISO4400

2 Selection of Pressure Range, see front page.

3 Selection of Process Connection.

PROCESS CONN. SIZE/ CODE	SS 316		BRASS	
	NPT	BSP	NPT	BSP
1/4" F	S1N	S1B		
1/2" F	S2N	S2B		
1/2" M	S7N ¹⁾	S7B ¹⁾		
1/4" F			B1N ²⁾	B1B ²⁾

Other sizes and materials available, consult factory.

1) NOT on Fluid Power Pressure Switches.

2) Standard on Fluid Power Pressure Switches.

4 Selection of Wetted Parts.

DIAPHRAGM/ O-RING CODE	DIAPHRAGM	O-RING
B1	Buna-N	Buna-N ¹⁾
P1	PTFE	Buna-N
P2	(Polyimide coated with PTFE)	Viton-A ³⁾
E6	EPDM	EPDM ^{1) 2)}
N3	Neoprene	Neoprene ^{1) 2)}
S0	Welded Diaphragm	None ⁴⁾
S1	SS 316	Buna-N
S2		Viton-A ³⁾
S3		Neoprene
V2	Viton-A	Viton-A ^{3) 2) 1)}

¹⁾ Fluid power switches are limited to these options.

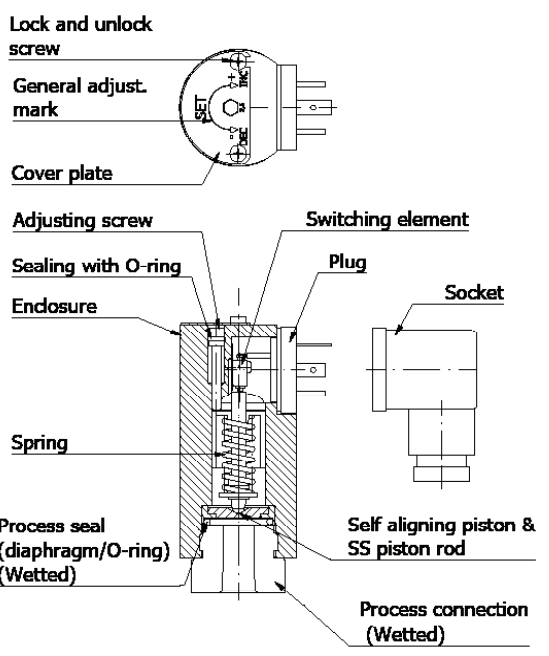
(O-ring only with SS 316 piston).

²⁾ Not in combination with option "P".

³⁾ For process temperature > 100°C, consult your BETA Switch Representative.

⁴⁾ Only for 1/4" and 1/2" process connections. Not for vacuum switches.

Note:
Wetted parts are suggested for use on the service indicated. However they do not constitute a guarantee against corrosive or permeation since processes vary from plant to plant. Empirical experience by users should be the final guide. The diaphragm/ O-Ring combinations are for process temperatures of -30°C to +80°C, unless otherwise indicated. For process temperatures beyond these limits please contact your BETA Switch Representative.



SP 420.25.02

5 Selection of Microswitches.

CODE	DESCRIPTION	MAX. RATINGS (RESISTIVE)	
		VAC.	VDC
BL	Standard use	250/ 3A	28/ 3A
BG	Gold Alloy Contacts	250/ 1A	28/ 1A

NOTE: Switching Elements - ONLY available with S.P.D.T. action micro.

6 Selection of Options.

OPTION CODE	DESCRIPTION
B	Industrial cleaning of "wetted" parts for oxygen services.
M	Vacuum protection plate (Standard SS 316).
P	Recommended on strong process pulsations (only on "P.H" range).

7 Specials.

We can incorporate numerous specials to meet your requirements. These special requirements are indicated by the letter "X" in the model code or at the end of the model number, followed by a figure showing the number of specials.

Example:
"X1" at the end of model reference means one special.
"X2" at the end of the model reference means two specials have been incorporated.

Details of each special must always be specified completely on inquiries and orders.

- > Example for specials for BETAMINI switches are:
- Special electrical connections.
 - Special process connections.
 - Chemical seals, send us complete specifications if required.
 - Specials.



"Quick shipment" – Available –
and possible for almost any BETAMINI!
(Consult your local BETA rep. or BETA factory for more details.)

For extended selection and/ or specified technical information, please ask for the "BETA-MINI" Catalogue.