

### Enclosures:

#### Cast Aluminum:

Oven baked powder coating  
 hammertone grey

#### Also available in SS 316

Wheaterproof IP 66 -  
 EN 60529  
 (Nema 4X)

#### Repeatability:

typical 0.2% of Full Scale

#### Standard unit: Barg

Optional: PSI / Kg / Pa

#### Standard process conetion:

1/4" NPT F or BSP F

#### Standard Diaphragm/O-ring:

Buna N / Buna N

#### For wetted parts:

more possibilities available,  
 see full catalogue

**BETA SWITCHES ARE,  
 BUILD TO LAST!**

### Do you want to know more:

Please contact your local dealer  
 and ask for the General Bulletin.  
 Or contact us directly!



**WWW.BETA-B.NL**



### Ranges for Vacuum switches.

RANGE CODE	ADJUSTABLE RANGE <sup>2)</sup> (INCR. VAC. TO PRESS.)		MAX. DEADBAND (VAC. / PRESS.)		MAX. VACUUM		MAX. OVERRANGE PRESSURE		PROOF PRESSURE	
	mBar/ Bar		mBar		mBar/ Bar		Bar		Bar	
V 301 L <sup>1)</sup>	-10 to -3	mBar	1	mBar	-500	mBar	+10	Bar	+15	Bar
V 304 L	-60/0/+150	mBar	4/4/6.5	mBar	-500	mBar	+30	Bar	+35	Bar
V 404 M	-400/0/+400	mBar	16/16/25	mBar	-1	Bar	+125	Bar	+140	Bar
V 406 M	-980/0/+1000	mBar	30/30/40	mBar			+200	Bar	+600	Bar
V 506 H	-1/0/+6	Bar	80/80/25	mBar						

<sup>1)</sup> Only available with L1 -microswitch element. K1 possible consult factory).

<sup>2)</sup> For setpoint around zero bar gauge, consult factory.

#### Disclaimer:

We reserve the right to make changes or modify the contents of this document without prior notice.  
 BETA B.V. does not accept any liability or claim whatsoever for potential errors,  
 incorrect interpretation or possible lack of information in this document.  
 It is clearly and only intended as coarse and general information of our products.

### Making the modelcode: Follow steps 1 to 5

#### 1 Selection of enclosure type.

Conduit:	Material:	Code:
Pg 13.5	Aluminium	<b>C1</b>
M20 x 1.5	Aluminium	<b>C2</b>
3/4" NPT F	Aluminium	<b>C3</b>
1/2" NPT F	Aluminium	<b>C4</b>
M20 x 1.5	SS 316	<b>C8</b>
3/4" NPT F	SS 316	<b>C9</b>

#### 2 Selection of range code, see front page.

#### 3 Selection of process connection.

Size:	Material:	Code:
1/4" NPT F	Aluminium *	<b>A1N</b>
1/2" NPT F	Aluminium *	<b>A2N</b>
1/4" NPT F	SS 316	<b>S1N</b>
1/2" NPT F	SS 316	<b>S2N</b>
1/2" NPT M	SS 316	<b>S7N</b>

Process conn. size max. 1/2"  
Piston & Spring (both wetted) standard in SS 316.

Above standard process connections are also available in: "BSP"  
**For example: 1/2" BSP F (SS 316) = S2B**

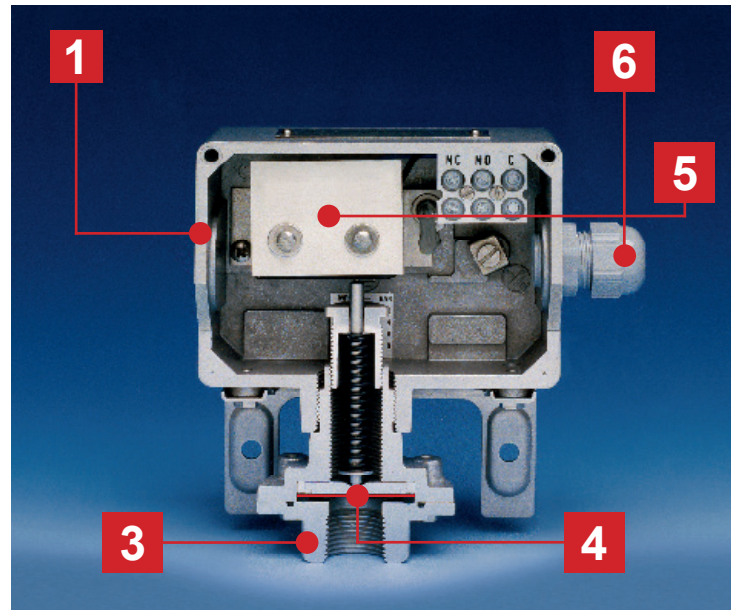
Process connections are also available in other materials like, Monel, PVC, Hastelloy, Titanium etc.

#### 4 Selection of wetted parts.

Diaphragm:	O-ring: *	Code:
Buna N	Buna N	<b>B1</b>
Viton	Viton	<b>V2</b>
SS 316	Buna N	<b>S1</b>
SS 316	Viton	<b>S2</b>
SS 316	Neoprene	<b>S3</b>
SS 316	EPDM	<b>S6</b>
Tantalum	Buna-N	<b>T1</b>

#### \* WETTED PARTS ARE NOT GUARANTEED,

against corrosion or permeation since processes vary from plant to plant and concentration of harmful fluids, gasses or solids vary from time to time in a given process. Empirical experience by users should be the final guide and alternate materials based on this are generally available. The diaphragm / O-Ring combinations are for process temperatures of -5°C to +90°C, unless otherwise indicated. For process temperatures beyond these limits please contact your BETA Switch Representative.



#### 5 Selection of microswitches.

Rating:		Use:	Code: <sup>1)</sup>
VAC.	VDC. <sup>3)</sup>		
480/ 15A	28/ 0.5A	<b>Standard</b>	<b>K1</b> <sup>2)</sup>
480/ 10A	28/ 0.5A	Standaard for L-serie	<b>L1</b> <sup>2)</sup>
480/ 15A	125/ 0.5A	Normal DC-service	<b>U1</b>
125/ 1A	28/ 0.5A	For use in H <sub>2</sub> S environment <sup>3)</sup> and/or for (EEx)i applications.	<b>G1</b> **
250/ 0.1A	30/ 0.1A	Environmental proof (IP 67)	<b>Y1</b>
250/ 0.1A	30/ 0.1A		<b>O1</b>
250/ 2A	30/ 2A		<b>N1</b>

**1)** For D.P.D.T action, second code figure should be specified as "2"  
**For example: K1 = S.P.D.T./ K2 = D.P.D.T**

**2)** VDE certified acc. to DIN EN 61 058-1:1992+A1:1993.

**3)** Indicated ratings are for resistive DC load only.

\*\* DC Rating not U.L. listed, although experience and third party testing confirm the D.C Voltage ratings. Consult your local BETA switch Representative.

#### 6 Selection of options.

Description:	Code:
Cable gland	<b>C</b>
For (EEx) I applications	<b>I</b>
Stainless steel tag key ringed to enclosure (Tag has 2 lines - 16 characters per line)	<b>S</b>
Epoxy coating of switch (External). Only in combination SS 316 process connection	<b>Y</b>

#### Accessoires:

2" Pipe mount bracket set available.

**Contents :**  
2 x bolts M6 x 100 mm + washer & nut  
Size +/- 1,5 mm / Material SS 304

